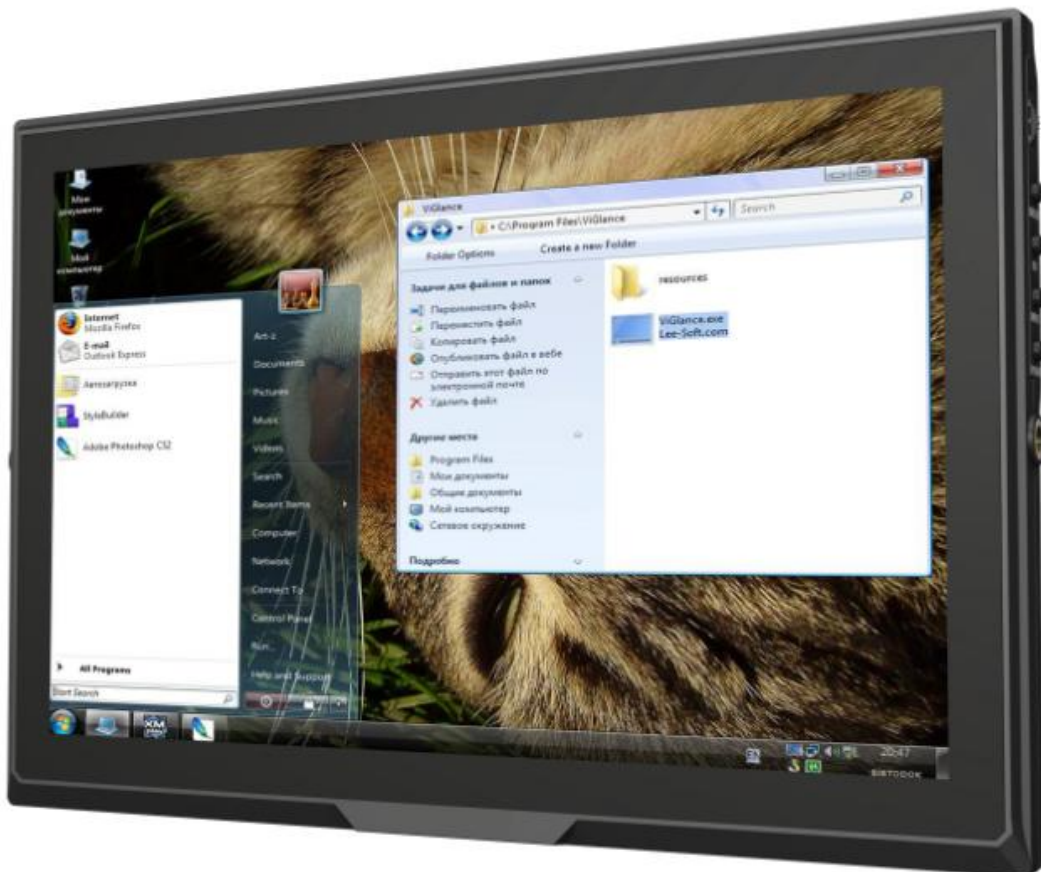


User Guide



IMPORTANT SAFETY INSTRUCTIONS:

- Please read User Guide before using this product.
- Please keep User Guide for future reference.
- Please read the cautions to prevent possible danger and loss of property.

FEATURES:

- High resolution: 1280×800;
- Wide voltage: DC 7-24V;
- High contrast: 800:1;
- 170°/ 170°(H/V) wide viewing angles, to provide better viewing effect;
- Lux Auto Backlight (Optional).

CAUTIONS:

1. Please do not place the display screen towards the ground.
2. Please avoid heavy impact or drop onto the ground.
3. Please do NOT use chemical solutions to clean this product. Please wipe with a clean soft cloth to maintain the brightness of the surface.
4. Please do not block any vent hole.
5. Please follow the instructions and trouble-shootings to adjust the product. Other improper adjustment may result in damage. Any further adjustment must be performed or conducted by a qualified technician.
6. Please unplug the power and remove the battery if long-term no-use, or thunder weather.

Contents

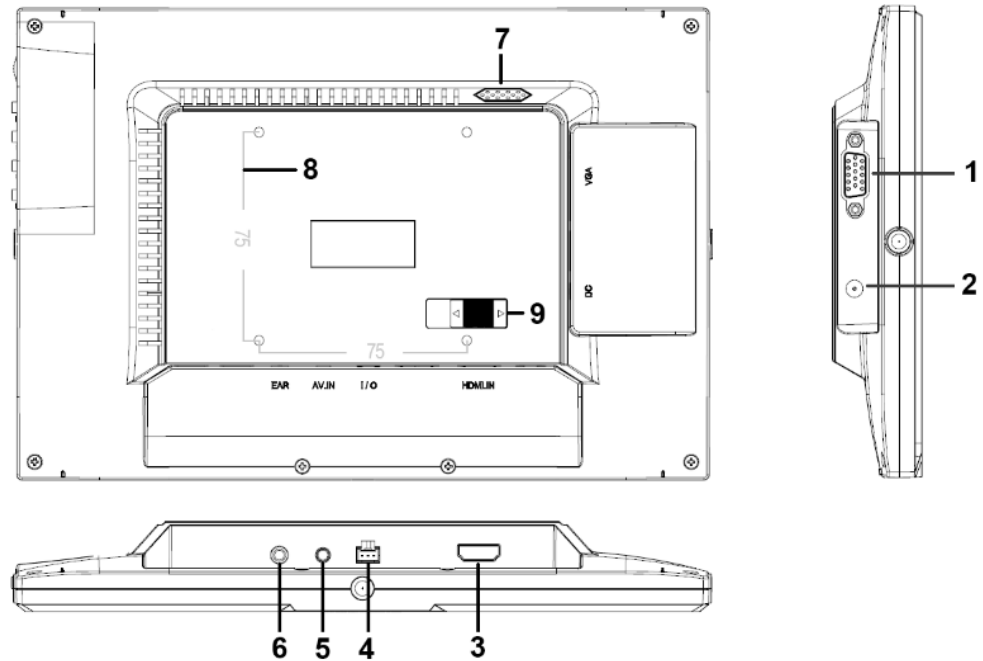
1. PRODUCT DESCRIPTION	2
2. REMOTE CONTROL.....	5
3. DV BATTERY MOUNT PLATE	5
4. WIRING INSTRUCTIONS.....	7
5. MENU SETTING.....	8
6. ACCESSORIES.....	12
7. PARAMETERS.....	13
8. TROUBLE SHOOTING	13

1. PRODUCT DESCRIPTION



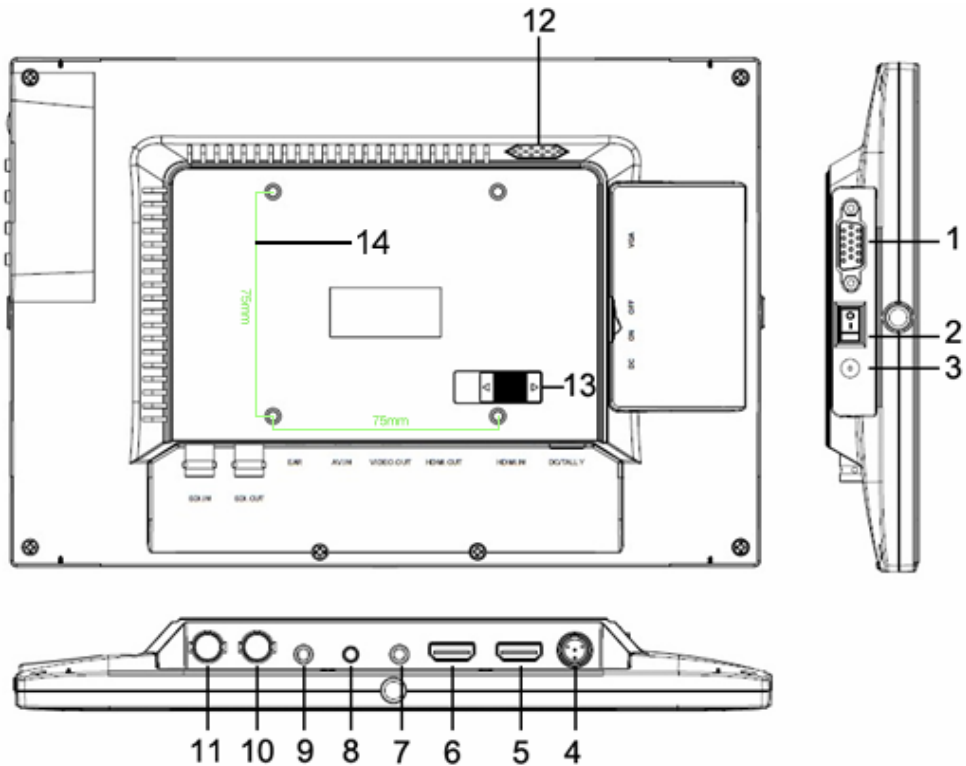
1. Auto backlight receiving window (Optional).
2. Infrared signal receiver (work with remote control).
3. Power indicator light (red while standby; green while working).
4. Dial: Turn the dial to adjust volume;
Turn the dial to select menu option and adjust the option value;
Press the dial to confirm.
5. M/EXIT: To activate or exit OSD menu.
6. FN: Image auto capture function under VGA mode;
Underscan function under HDMI mode.
7. INPUT: circularly switch among of
AV1, AV2, PC, HDMI/DVI (without SDI).
AV, PC, HDMI/DVI or SDI (with SDI)
8. POWER: ON/OFF.
9. Mounting socket.

Without SDI:



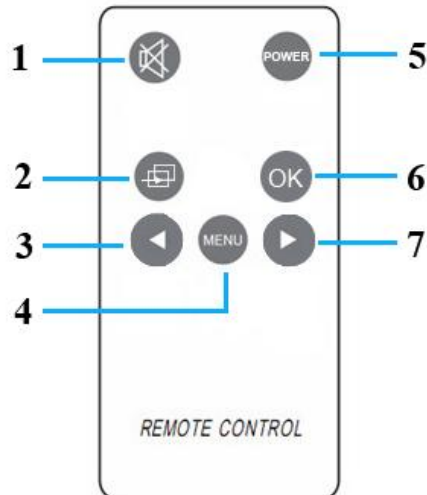
1. VGA interface.
2. DC 12V power input.
3. HDMI / DVI input interface.
4. I / O control interface.
5. A / V input interface.
6. Earphone jack
7. Speaker
8. VESA Mounting interface.
9. Slide to left to connect power cable
(Connecting with the battery plate).

With SDI:



1. VGA interface.
2. Battery power on/off switch: “O” is power off; “I” is power on.
3. DC 12V power input.
4. DC / TALLY connector.
5. HDMI / DVI input interfaces.
6. HDMI output interface.
7. Video output interface.
8. A / V input interface.
9. Earphone jack.
10. SDI output interface.
11. SDI input interface.
12. Speaker.
13. Slide to left to connect power cable (connecting with the battery plate).
14. VESA Mounting interface

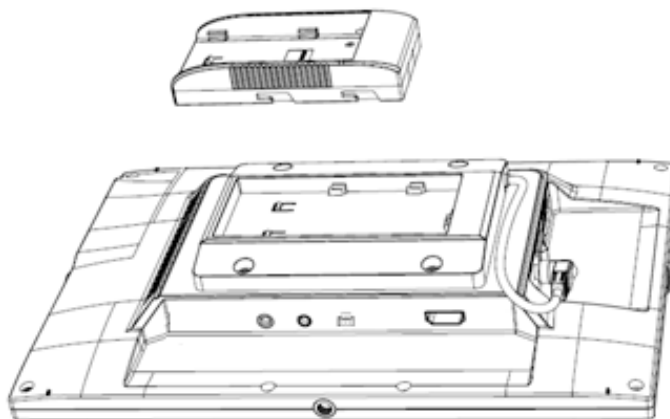
2. REMOTE CONTROL



1. MUTE
2. Circularly switch among of
AV1, AV2, PC, HDMI/DVI (without SDI).
AV, PC, HDMI/DVI or SDI (with SDI)
3. ◀: Left move, Volume down or to adjust the value of setting function.
4. MENU: To activate OSD (on-screen display) menu.
5. POWER: ON/OFF.
6. OK: Enter.
7. ▶: Right move, Volume up or to adjust the value of setting function.

3. DV BATTERY MOUNT PLATE

Standard mounts process



Following three types of battery plates are suitable for this device, model

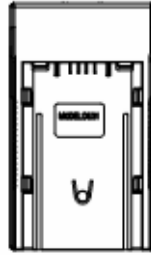
F970, QM91D, DU21 & LP-E6 (choose 2 out of 4).



MODEL: F-970



MODEL: QM91D



MODEL: DU21



MODEL: LP-E6

DV Battery Mount Plate:

DV Battery Mount Plate Specification:

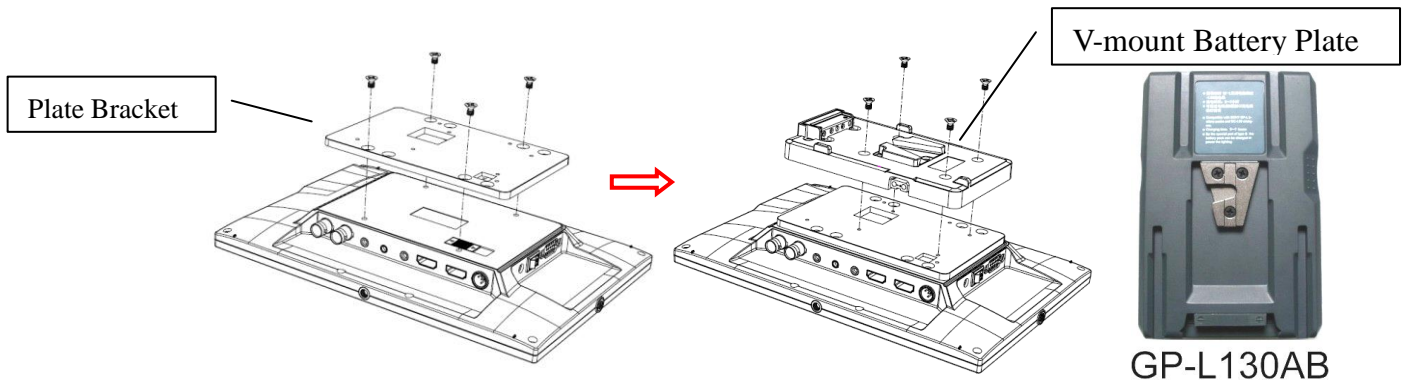
Model DU21 for battery of Panasonic DV:
NV-GS/PV-GS/DZ-MV/GS/H28/H258/H288GK series, comply with
Panasonic battery DU06/VBD140/SANYO DZhs301sw/Hitachi
DZ-HS303SW/BZ-BP14S/DZ3200/BP07W.

Model QM91D for battery of SONY DV:
DSCR1/F/S/MVCCD/E/HC15E/HC1E/AE1u/DCRTRV828/E/CCD-TRV
116/DCR-DVD/PS105K/300K/10P/1E series.

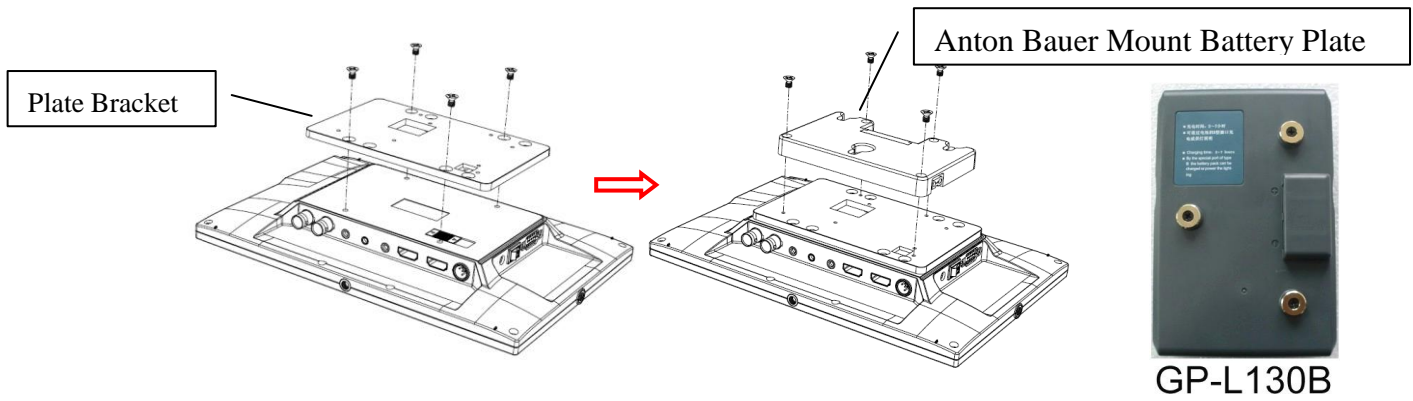
Model F970 for battery of SONY DV:
DCR-TRV series, DCR-TRV E series, VX2100E PD P series, GV-A700,
GV-D800 FD/CCD-SC/TR3/FX1E/HVR-AIC, HDR-FX1000E, HVR-Z1C,
HVR-V1C, FX7E F330.

Model LP-E6 for battery of Canon DSLR:
5D Mark II/5D Mark III/EOS7D/EOS60D;

V-mount battery plate (optional): Please refer to GP-L130AB type
battery specifications.



Anton Bauer mount battery plate (optional): Please refer to GP-L130B type battery specifications.



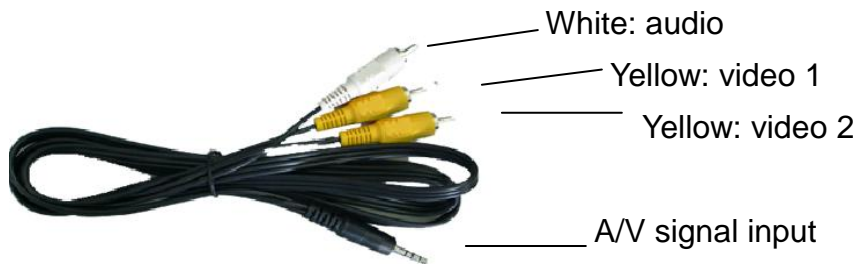
4. WIRING INSTRUCTIONS

I/O control line

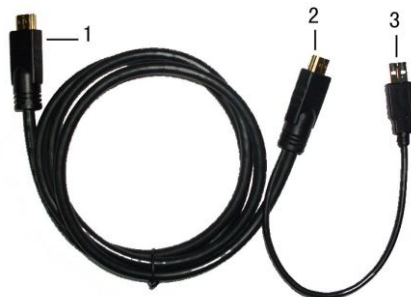


1. Blue: Video trigger 1
2. Black: GND
3. Green: Video trigger 2

Composite cable

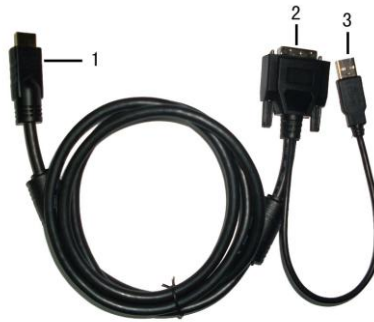


HDMI to HDMI cable



1. HDMI signal input end
2. HDMI signal input connect device with HDMI signal
3. USB port connect computer for touch function (optional)

HDMI to DVI cable (optional):



1. HDMI signal input end.
2. DVI signal input connect with device with DVI signal.
3. USB connect with the USB port of computer for touch function (optional).

5. MENU SETTING

Before setting the functions, please make sure the device is connected correctly.

5-1. Shortcut keys:

5-1-1. the image menu

When power on, Sliding the slider on the device, brightness will appear at the bottom of the screen, then press the slider to select brightness, sharpness, contrast, saturation, volume, tint. User can adjust the parameters of the selected item with Slide up and down to meet their needs.

5-1-2. FN user-definable function button:

Long press FN key for 3-5 seconds to pop-up shortcut menu directly. As shown in Figure (default menu button in white font).

Slide up and down to select the desired option.

Finally, press the slider to confirm the selected item as default.

Functions of FN button can also be customized: Center Marker, Safety Marker, Check Field, Color Bar, Aspect Ratio, Zoom, Pixel-to-Pixel, Freeze Input, Underscan, H/V delay.

Center Marker
Safety Marker
Check Field
Color Bar
Aspect Ratio
Camera
Image Flip
Zoom
Pixel-to-Pixel
Freeze Input
Underscan
H/V delay

FN: User-definable function button.

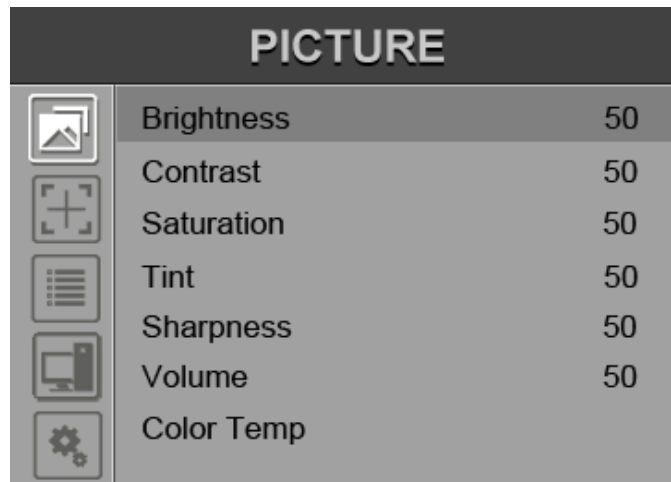
Default function: Aspect Ratio

5-2. MENU Operation

When power on, press “**M/EXIT**” on the device. The menu of function setting will display on the screen.

With slide up and down the slider to choose menu; then rotate the slider up to confirm; after that, press M/EXIT to return to main menu.

5-2-1. Picture



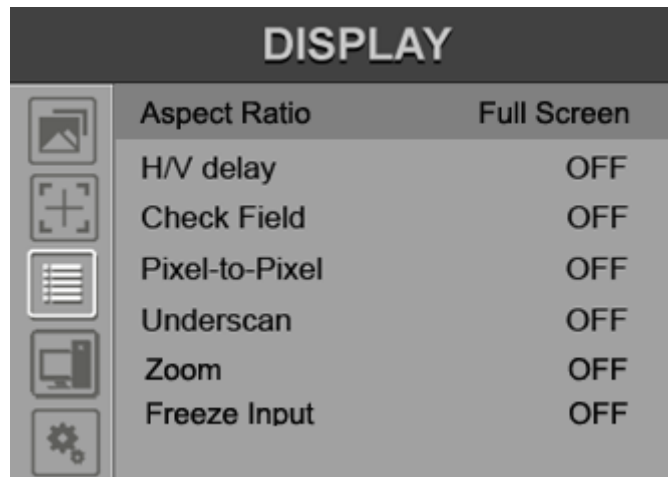
ITEMS	OPTIONS		
Brightness	0 – 100		
Contrast	0 – 100		
Saturation	0 – 100		
Tint	0 – 100		
Sharpness	0 – 100		
Volume	0 – 100		
Color Temp	6500°K/7300 °K/9300 °K/User		
	R Gain	0 - 255	Note: Available only under “User” mode to choose the color value you need.
	G Gain	0 - 255	
	B Gain	0 - 255	
	R Offset	0 - 999	
	G Offset	0 - 999	
	B Offset	0 - 999	

5-2-2. Marker



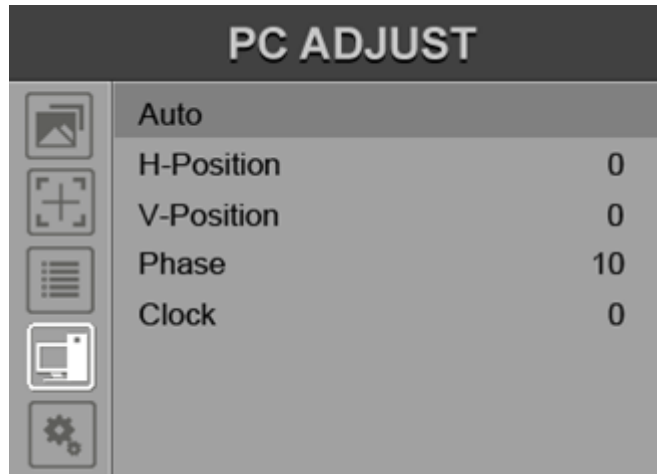
ITEMS	OPTIONS
Center Marker	ON, OFF
Safety Marker	OFF, 95%, 93%, 90%, 88%, 85%, 80%

5-2-3. Display



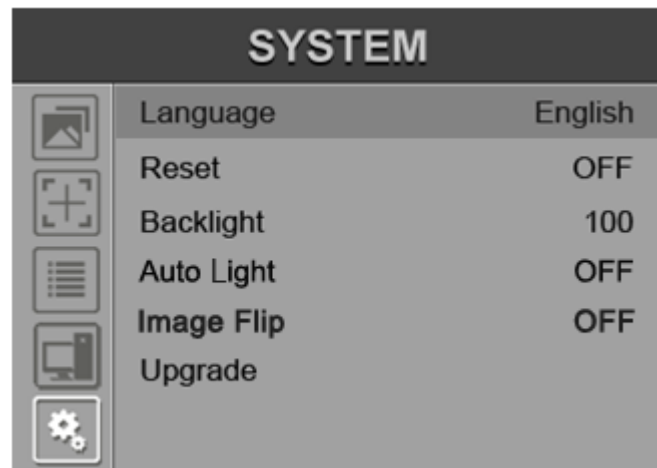
ITEMS	OPTIONS
Aspect Ratio	Full Screen, 16:9, 4:3, 1.85:1, 2.35:1
H/V Delay	OFF, H&V, V, H
Check Field	OFF, Mono, Red, Green, Blue
Pixel-to-Pixel	OFF, ON
Underscan	OFF, ON
Zoom	OFF, x2, x4, x6, x8
Freeze Input	OFF, ON

5-2-4. PC Adjust



ITEMS	OPTIONS
Auto	ON
H-Position	0 – 100
V-Position	0 – 100
Phase	0 – 63
Clock	0 – 100

5-2-5. System



ITEMS	OPTIONS
Language	English, Chinese
Reset	OFF, ON
Backlight	0 – 100
Auto Light	OFF, ON
Image Flip	H&V, V, H
Upgrade	For program upgrades

6. ACCESSORIES

Standard Accessories:



Optional Accessories:



7. PARAMETERS

	Without SDI	With SDI
Panel	10.1" LED Backlight	10.1" LED Backlight
Physical Resolution	1280x800	1280x800
Brightness	350cd/m ²	350cd/m ²
Contrast	800: 1	800: 1
Viewing Angle	170°/ 170°(H/V)	170°/ 170°(H/V)
Input Voltage	DC 7-24V	DC 7-24V
Input Signal	AV, HDMI, PC or DVI	AV, HMDI, PC, SDI or DVI
Power Consumption	≤ 10W	≤ 12W
Operating Temperature	0°C~50°C	0°C~50°C
Storage Temperature	-20°C~60°C	-20°C~60°C
Dimension (LWD)	250x170x32.3mm	250x170x32.3mm
Weight	560g	660g

8. TROUBLE SHOOTING

1. Only black-and-white display:

Check whether the color saturation is properly setup or not.

2. Power on but no pictures:

Check whether the cables of AV, HDMI, PC and SDI are correctly connected or not. Please use the standard power adapter coming with the product package. Improper power input may cause damage.


3. Wrong or abnormal colors:

Check whether the cables are correctly and properly connected or not. Broken or loose pins of the cables may cause a bad connection.

4. When on the picture shows size error:

Press "MENU → DISPLAY → Underscan" to zoom in/out pictures automatically when receiving HDMI signals

5. Other problems:

Please press " button and choose "M/EXIT→SYSTEM→ Reset →ON"

6. According to the ISP, the machine cannot function properly:

ISP for program upgrades, non-professionals do not use. Please reboot your device if press accidentally!

- It is normal to see some bright lines appear on the screen when turn off the device.

Note: due to constant effort to improve products and product features, specifications may change without notice.

